



Beretta

Pistol
series 70



P. BERETTA S.p.A. Gardone V. T. (Brescia)

THE BERETTA SERIES 70

The BERETTA SERIES 70, designed on the production experiences of more than ten millions of guns, is based on the classic features of the BERETTA 1935 pistol, world-renowned for over a quarter of a century.

The BERETTA SERIES 70 takes advantage of the newest steel alloys and the most advanced engineering techniques.

The functioning is based on case projection or blow back action.

The BERETTA SERIES 70 is manufactured both in the calibres 7.65 (.32) and .22 L.R.

(See pages 10 and 11 for details on the different models)

Series 70, Features

alloys, ensures a crisper and smoother trigger pull for more precise shooting.

SPEEDY MAGAZINE RELEASE

new Beretta push button magazine release facilitates high speed insertion and extraction of the magazine.

SPEEDY RELOADING SYSTEM

after the last shot, the slide automatically remains open, due to the slide catch being actuated by the follower, so that the empty magazine may be ejected simultaneously by pressing the magazine release and a new magazine immediately inserted.

SUPERIOR POINTABILITY

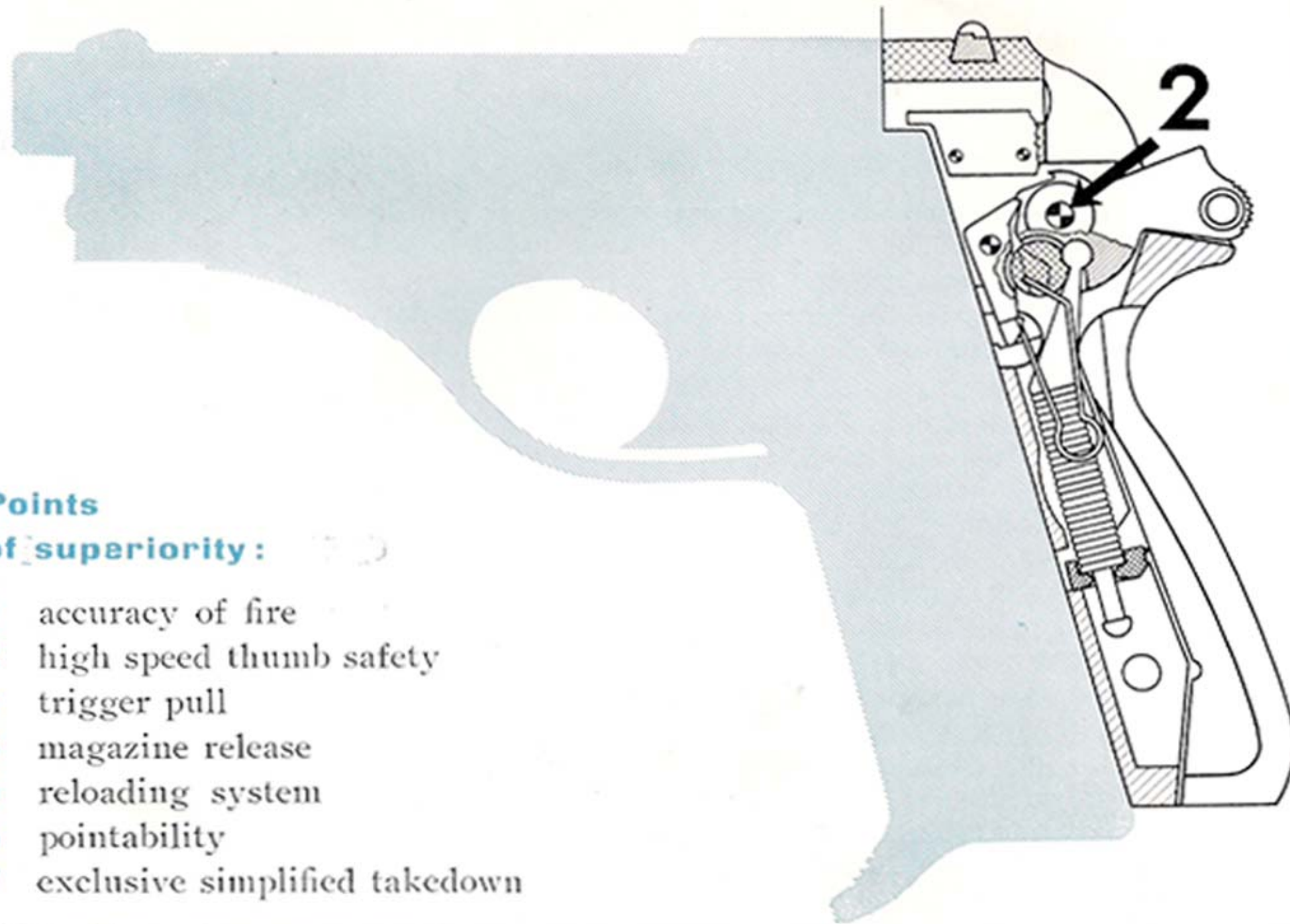
the slanted pistol grip provides easier aiming. Newly designed stocks are both easier and faster to grip. Cartridges now enter the chamber with reduced loading angle.

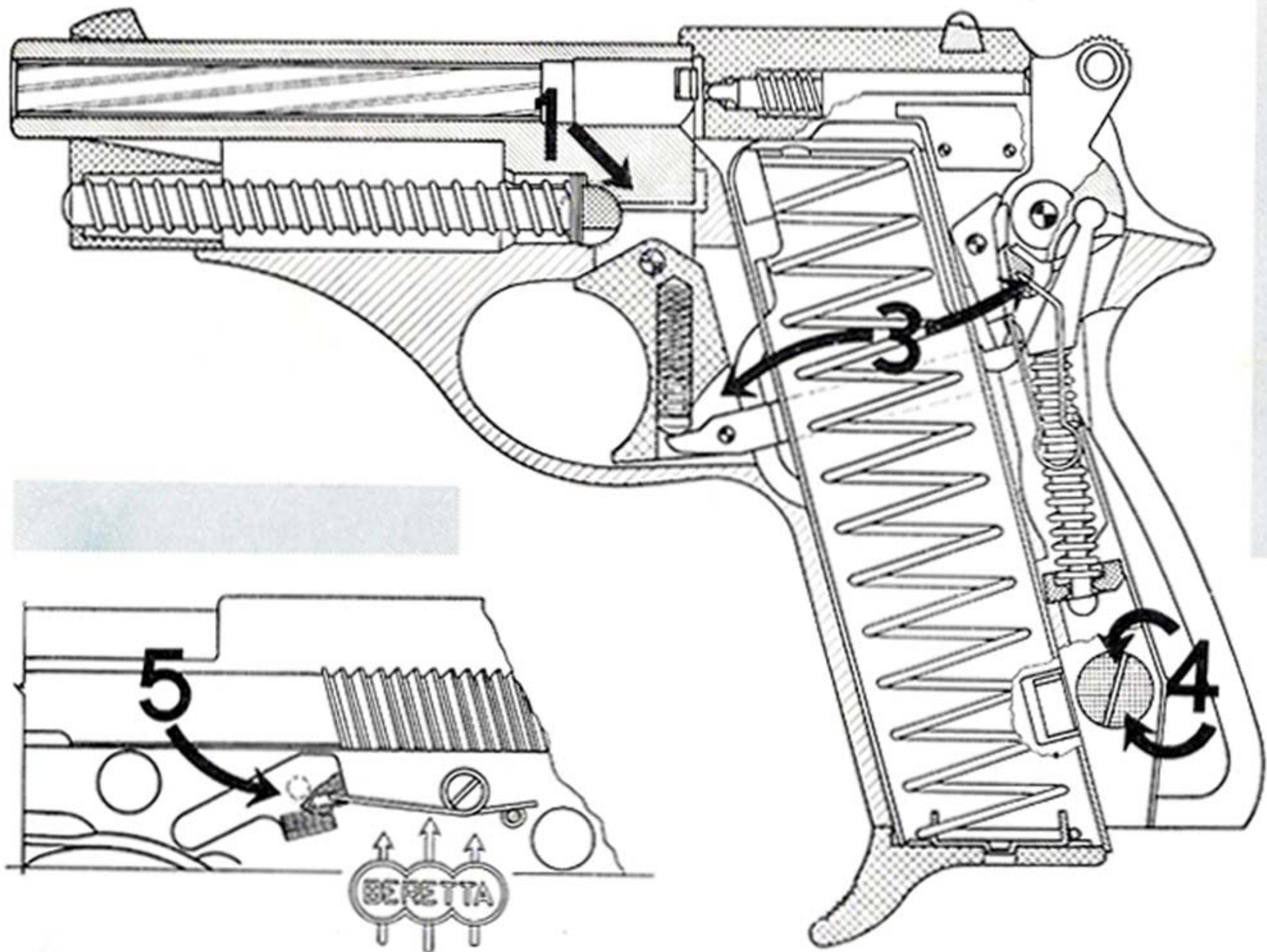
EXCLUSIVE SIMPLIFIED TAKEDOWN

(See photographs of field strip sequences).

**Points
of superiority:**

- 1 accuracy of fire
- 2 high speed thumb safety
- 3 trigger pull
- 4 magazine release
- 5 reloading system
- 6 pointability
- 7 exclusive simplified takedown





FIELD STRIP

- 1 First remove magazine, then draw the slide back for a look into the chamber and check that it is empty. (Cock hammer first to facilitate backward movement of slide).

To remove magazine, keep push button magazine release pressed down until the magazine is fully out. Reassemble in reverse order.

- 2 Hold pistol in left hand. Push slide back with right hand till notch on the lower edge of the right side of the slide is opposite the slide lock. With left thumb rotate matted button of slide lock counterclockwise as shown by arrow.



- 3** The slide is thus released and permitted to come forward, on the front.



- 4** To remove barrel, release recoil spring guide with its spring, pushing it slightly forward to disengage from notch in the slide. (Be careful since the recoil spring is tightened). Proceed as shown in figure 4.



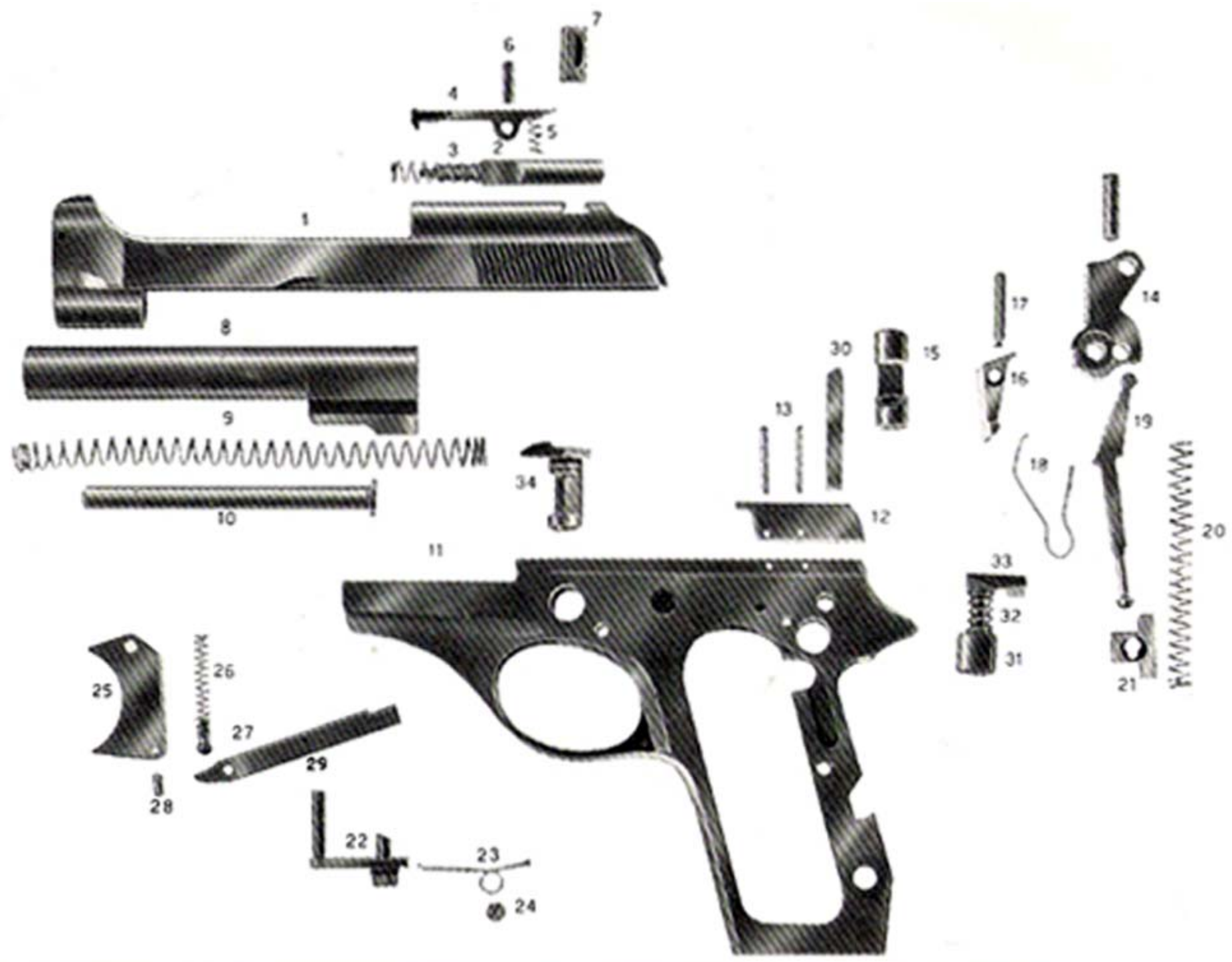
Reassemble in reverse order



How to insert
the cartridge
into the magazine

Cleaning

TAKE CARE OF YOUR GUN, IT WILL LAST LONGER AND YOU WILL GET THE BEST RESULTS. KEEP IT CLEAN AND LUBRICATED THROUGHOUT. AFTER EACH FIRING, CLEAN BARREL TO AVOID OXIDATION.



Component parts:

- | | | | | | |
|----|---------------------|----|-----------------------------|----|---------------------------------|
| 1 | slide | 13 | ejector pins | 25 | trigger |
| 2 | firing pin | 14 | hammer | 26 | trigger bar spring |
| 3 | firing pin spring | 15 | safety | 27 | trigger bar spring
plunger |
| 4 | extractor | 16 | sear | 28 | trigger bar pin |
| 5 | extractor spring | 17 | sear pin | 29 | trigger bar |
| 6 | extractor pin | 18 | sear and safety
spring | 30 | disconnecter |
| 7 | rear sight | 19 | hammer strut | 31 | magazine release
push button |
| 8 | barrel | 20 | hammer spring | 32 | magazine release
spring |
| 9 | recoil spring | 21 | hammer spring
strut nut | 33 | magazine release
catch |
| 10 | recoil spring guide | 22 | slide catch | 34 | slide lock with
spring |
| 11 | receiver | 23 | slide catch spring | | |
| 12 | ejector | 24 | slide catch spring
screw | | |

.32 cal. - blue finish.

70

The Beretta Model 70 is the basic pistol of the series 70: with lengthened barrel guide - high speed thumb safety - crisp trigger pull - improved magazine release and exclusive simplified takedown. Front and rear sight fixed on the slide. With steel body or light alloy body (aermetal). Trigger pull lbs. **6.160-7.700**

Specifications:

overall length	inch. 6.496	weight of pistol with	
height	inch. 4.843	empty magazine	ounces 22.05
length of barrel	inch. 3.544	penetration (pine boards)	
		at 27 yds.	inch. 4.331

Capacity of magazine **8** rounds

THE NEW BERETTA



70 - Cal. 7,65

.22 L.R. cal. - blue finish.

71

A highly recommended sport pistol that makes a constant companion for protection at home and in the field. Same pistol as model 70 specially redesigned for .22 L.R. rim fire shells. Light alloy body. Trigger pull lbs. **6.160-7.700**

Specifications:

overall length	inch. 6.496	weight of pistol with	
height	inch. 4.843	empty magazine	ounces 16.62
length of barrel	inch. 3.544	penetration (pine boards)	
		at 27 yds.	inch. 1.201

Capacity of magazine **8** rounds



71 - Cal. .22 L.R.

72

Same as model 71, supplied with two barrels, the short barrel 3.51" being the spare one. A double purpose pistol, for defense and target training.

Specifications:

overall length	inch. 8.859	weight of pistol with	
height	inch. 4.843	empty magazine	ounces 18.37
length of barrel	inch. 5.906	penetration (pine boards)	
		at 27 yds.	inch. 1.654

Capacity of magazine **8** rounds



72 - Cal. .22 L.R.

PISTOL SERIES 70

73

The dependable pistol for training in target shooting. Front and rear sight fixed on the barrel - enlarged grips to hold the ten round magazine.

Specifications:

overall length	inch. 9.255	weight of pistol with empty magazine	ounces 19.60
height	inch. 5.355	penetration (pine boards) at 27 yds.	inch. 1.654
length of barrel	inch. 5.906		

Capacity of magazine 10 rounds



73 - Cal. .22 L.R.

74

A splendid target pistol for its size and weight. Long barrel with adjustable rear sight both laterally and in elevation as illustrated. Fixed front sight on top of barrel. The trigger pull is adjustable by means of a conic screw acting on the sear; it can be reduced up to 22 ounces. (Remove right plastic grip; the screw is near the disconnector). Enlarged grips. 10 round magazine.

Specifications:

overall length	inch. 9.255	weight of pistol with empty magazine	ounces 19.60
height	inch. 5.434	penetration (pine boards) at 27 yds.	inch. 1.654
length of barrel	inch. 5.906		

Capacity of magazine 10 rounds



Detail of adjustable rear sight

74 - Cal. .22 L.R.

75

Same pistol as model 71 but with long barrel.

